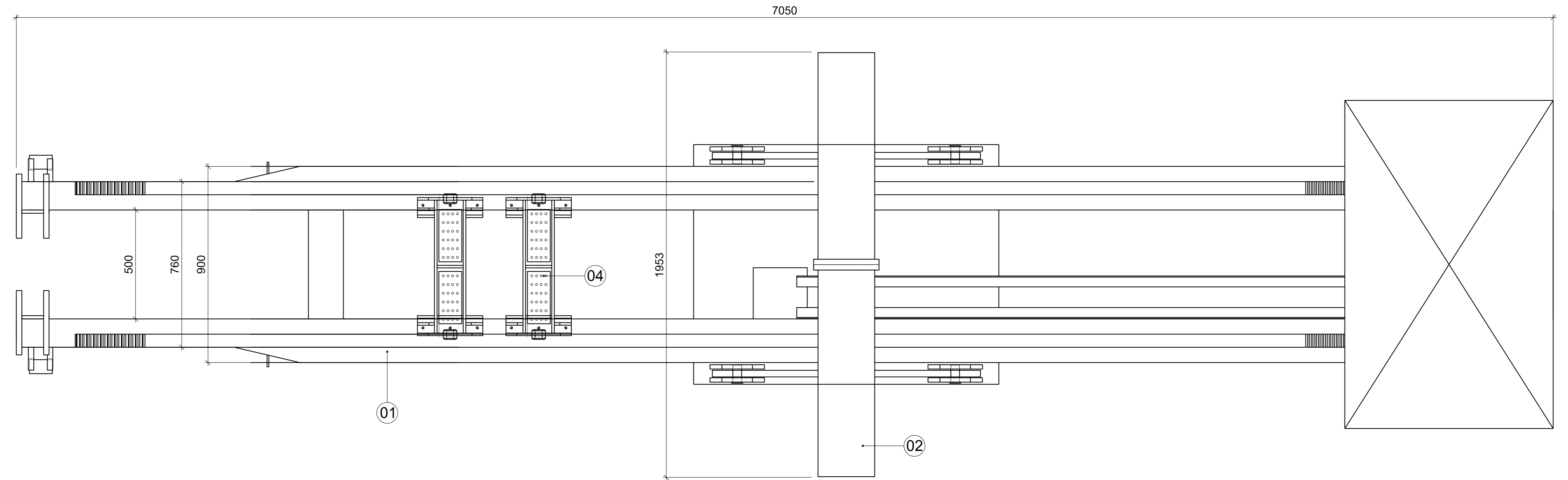
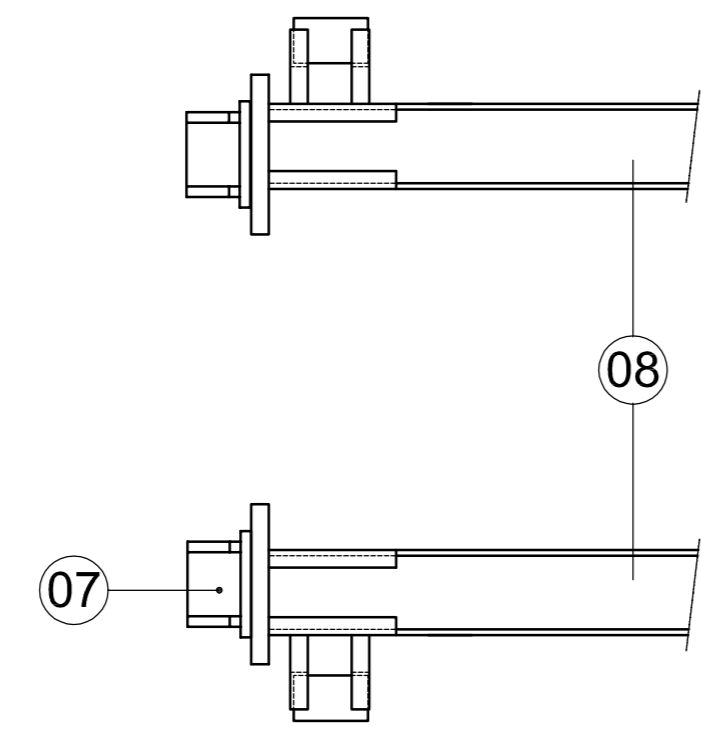
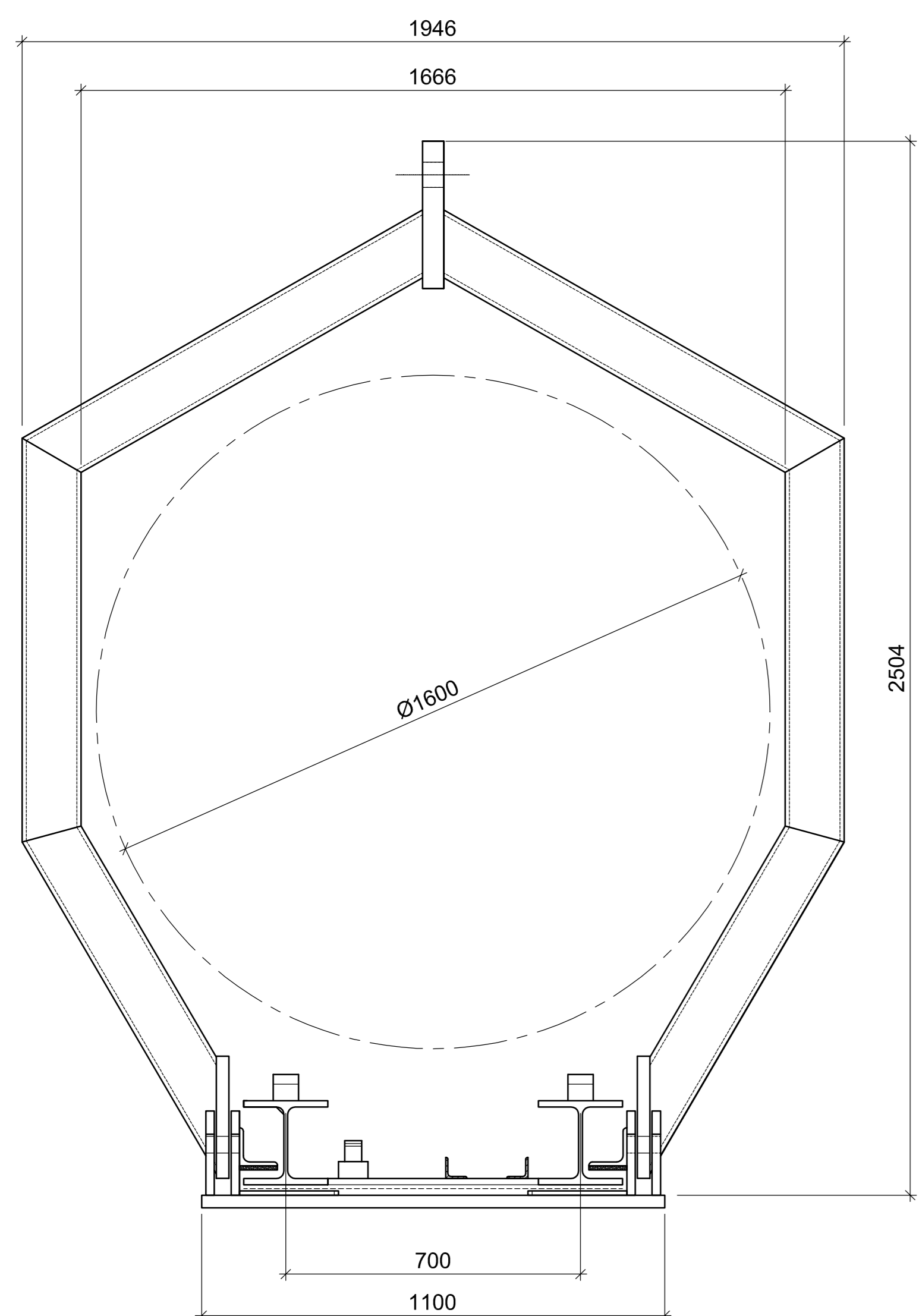


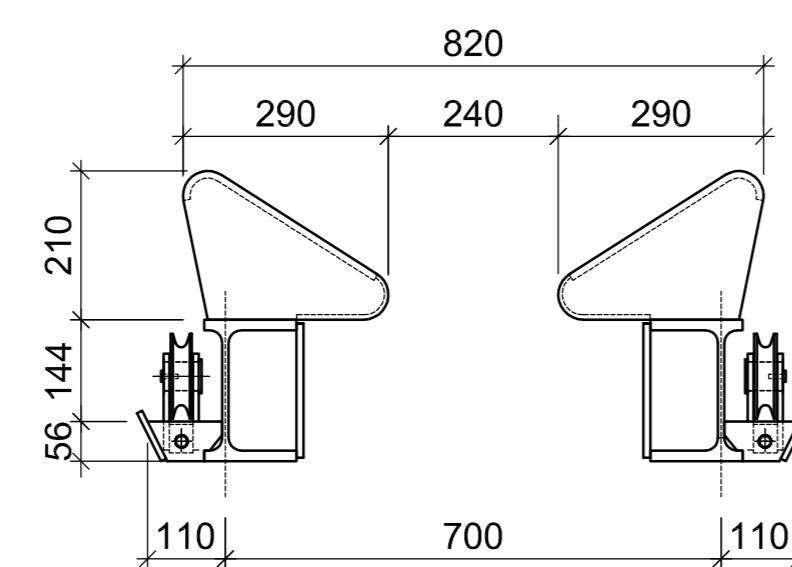
OPTIONAL 2m HOISTING FRAME



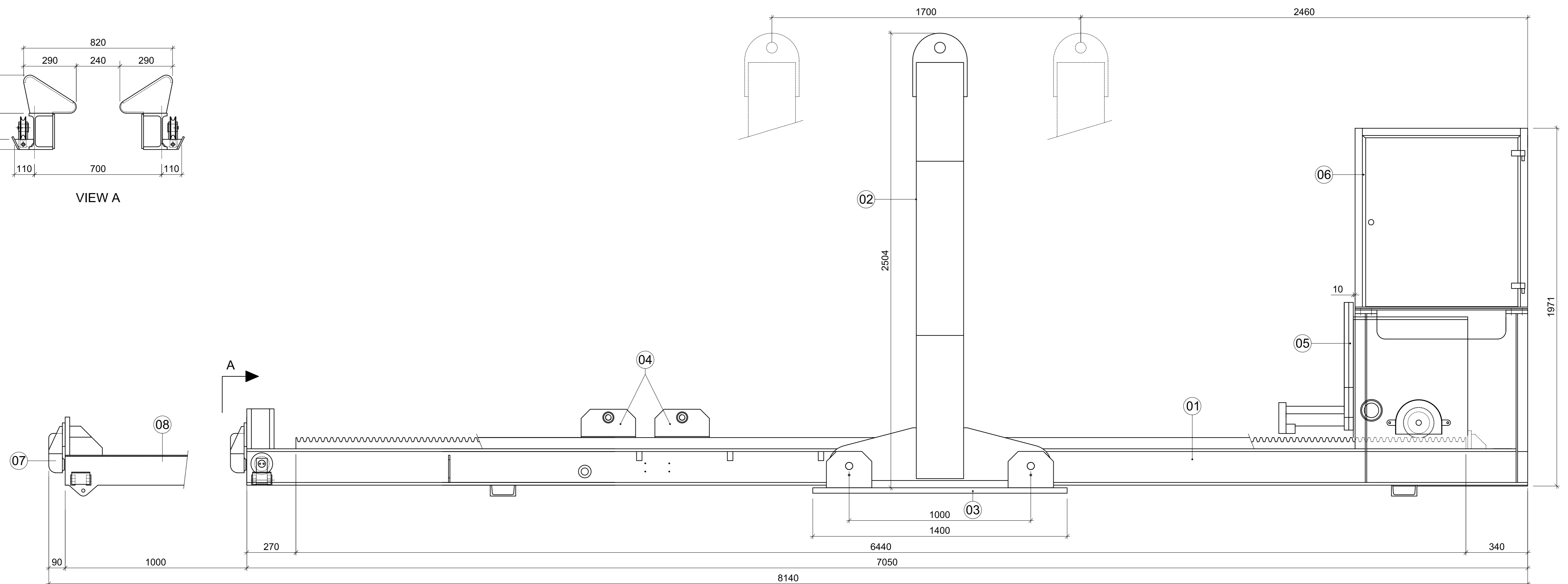
TOP VIEW



STANDARD 1,6m HOISTING FRAME




VIEW A



SIDE VIEW

ITEM	QUANT	DESCRIPTION
08	1	FRONT EXTENSION
07	1	CLAMP
06	1	ENGINE COMPARTMENT
05	1	PULLING UNIT
04	2	V-BLOCK
03	1	BALANCE PLATE
02	1	HOISTING FRAME
01	1	BASE FRAME

Project:	Bundle extractor 20T 6100x1600E	Rev.:	-	Datum:	-
Onderdeel:	Customer drawing General arrangement	Rev.:	-	Datum:	-
 Peinermann Equipment Mandenmakerstraat 190 3194 DG Hoogvliet Holland Tel: +31 (0)10 29 55 000 Fax: +31 (0)10 29 55 059		Tek.Nr.:	BT-A-GA-101		
		Formaat:	A0	Schaal:	1:10
		Datum:	14-3-2014	Wijz.:	-