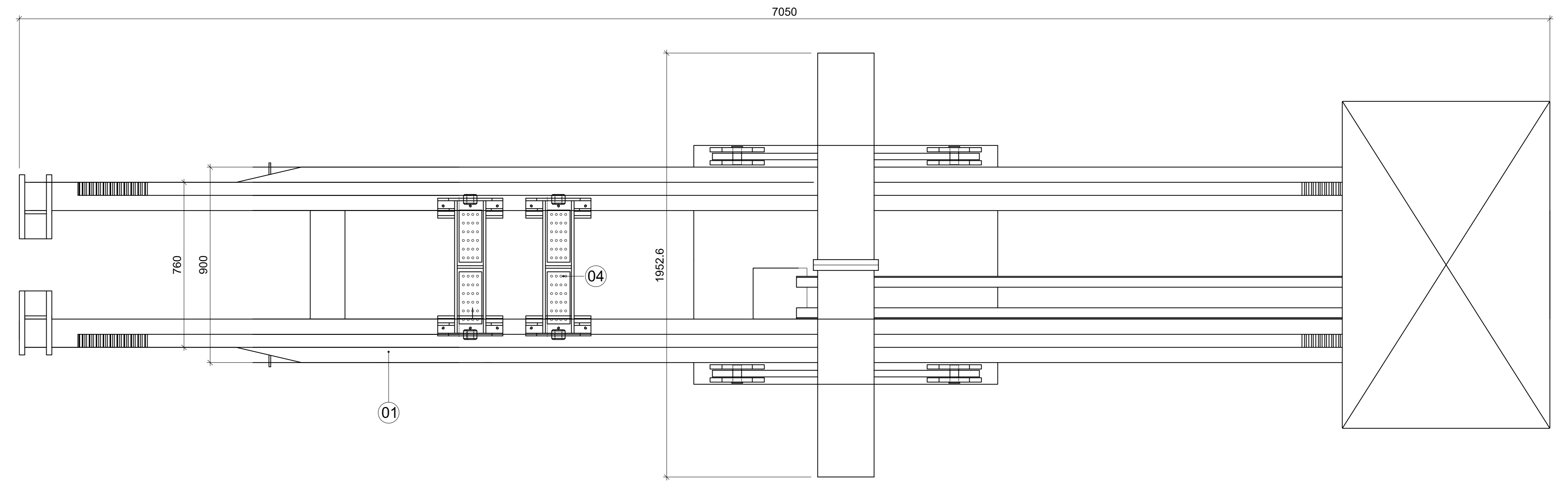
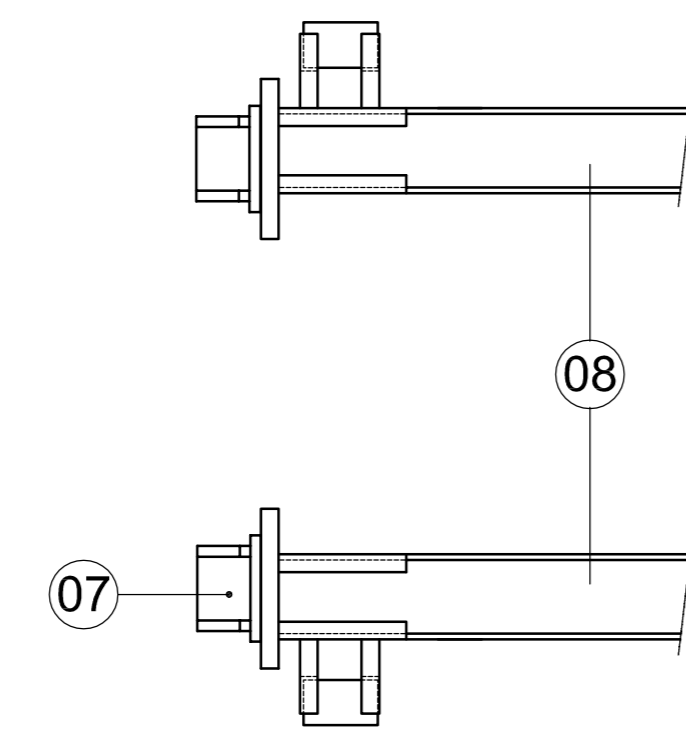
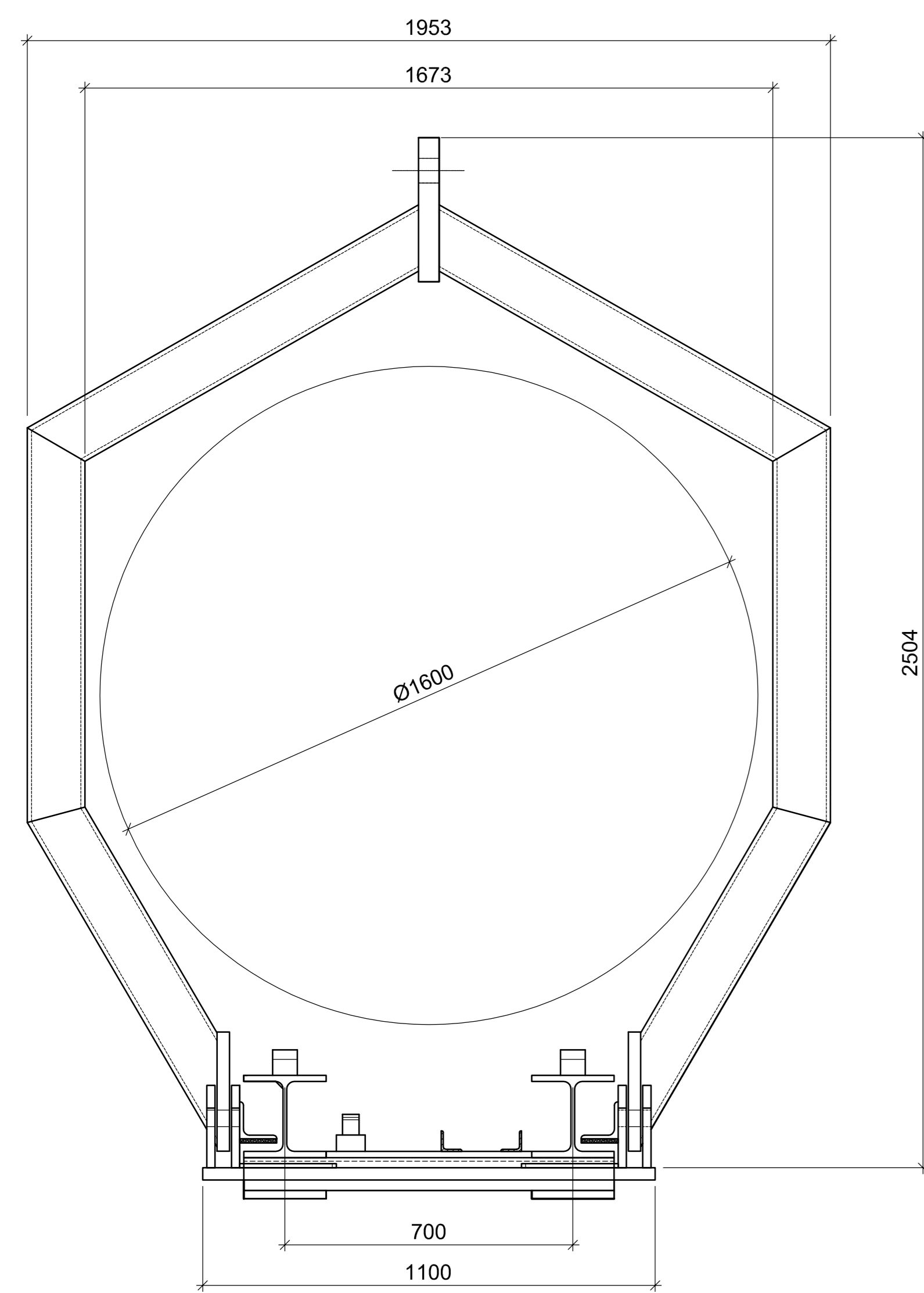


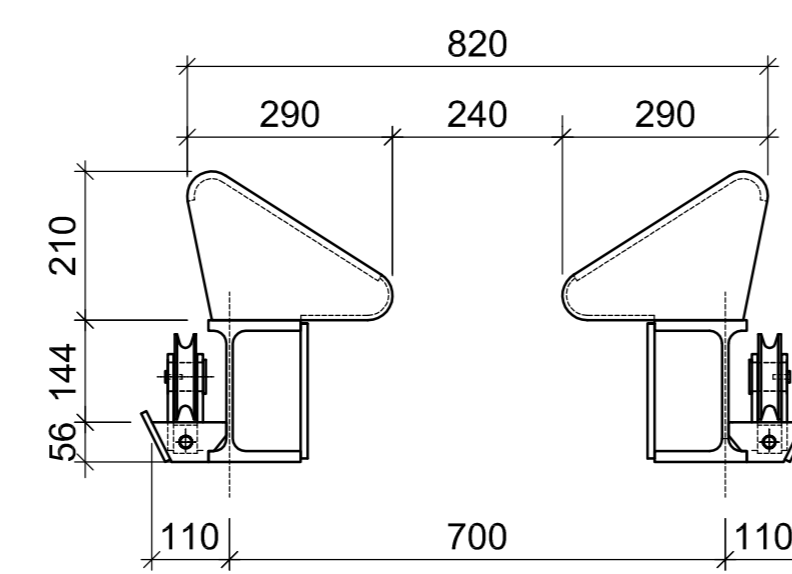
OPTIONAL 2m HOISTING FRAME



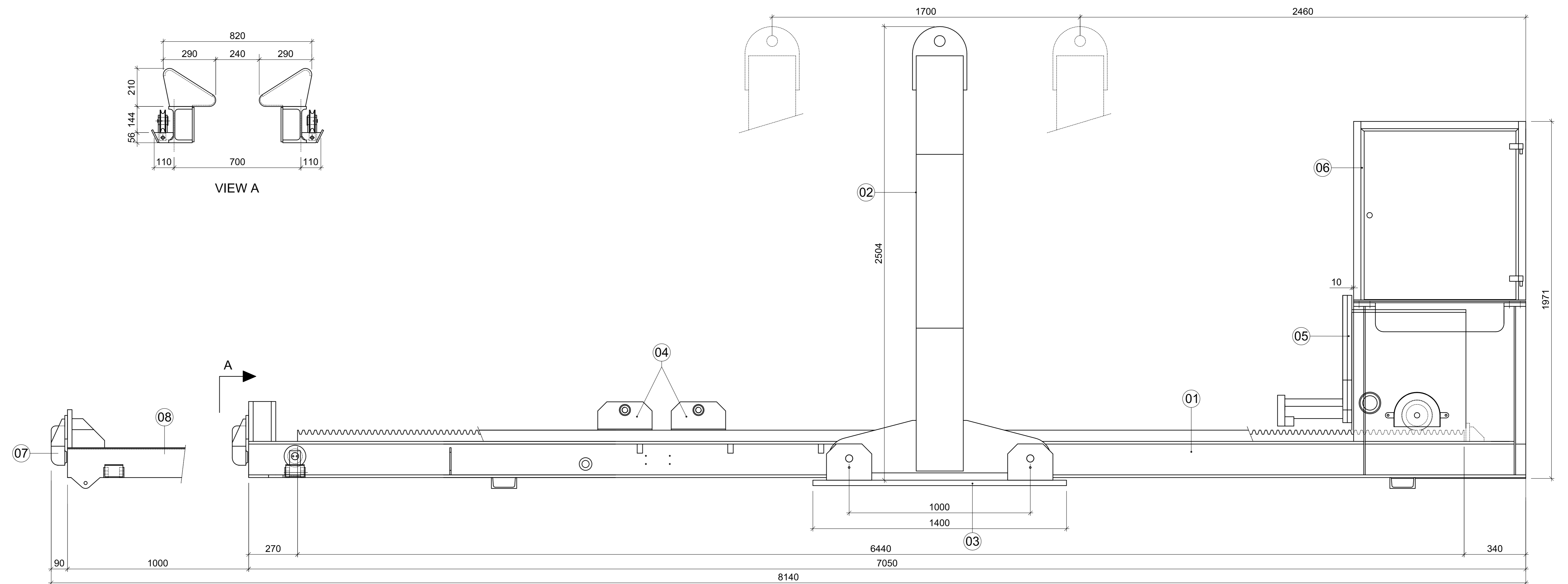
TOP VIEW



STANDARD 1.6m HOISTING FRAME




VIEW A



SIDE VIEW

ITEM	QUANT	DESCRIPTION
08	1	FRONT EXTENSION
07	1	CLAMP
06	1	ENGINE COMPARTMENT
05	1	PULLING UNIT
04	2	V-BLOCK
03	1	BALANCE PLATE
02	1	HOISTING FRAME
01	1	BASE FRAME

Project:	Bundle extractor 25T 6100x1600E	-	-
Onderdeel:	Customer drawing General arrangement	-	-
Rev.:		Datum:	
 Mandenmakerstraat 190 3194 DG Hoopvliet Holland Tel: +31 (0)10 29 55 000 Fax: +31 (0)10 29 55 059		Tek.Nr:	BT-A-GA-102
		Formaat: A0	Schaal: 1:10
		Datum: 24-3-2014	Wijz.: -