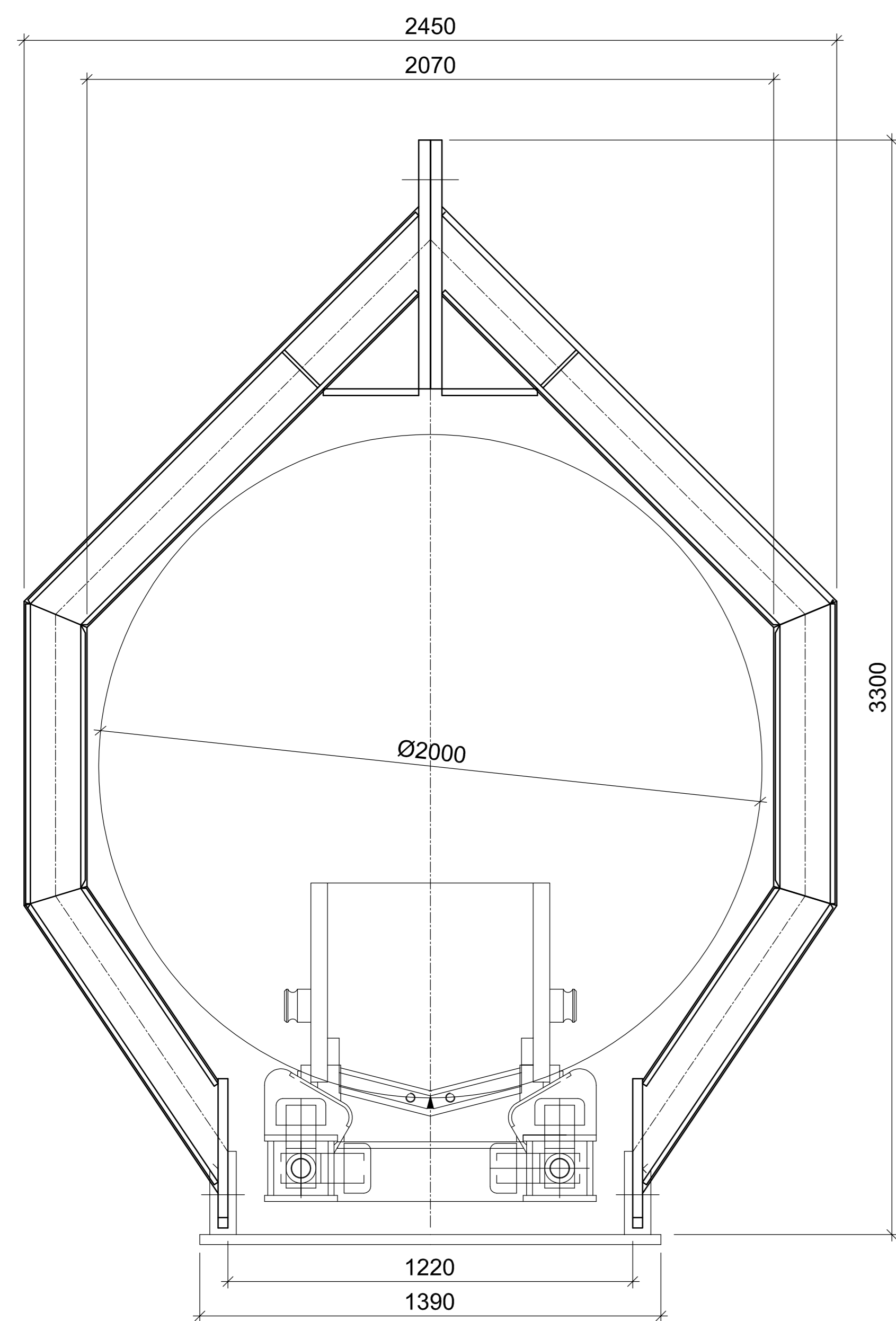
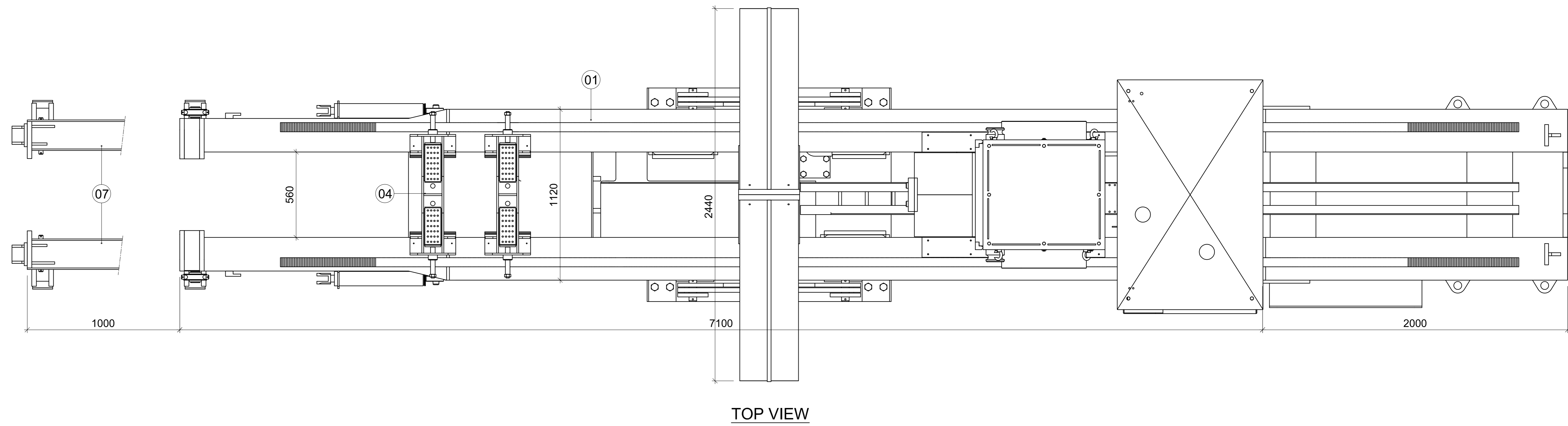


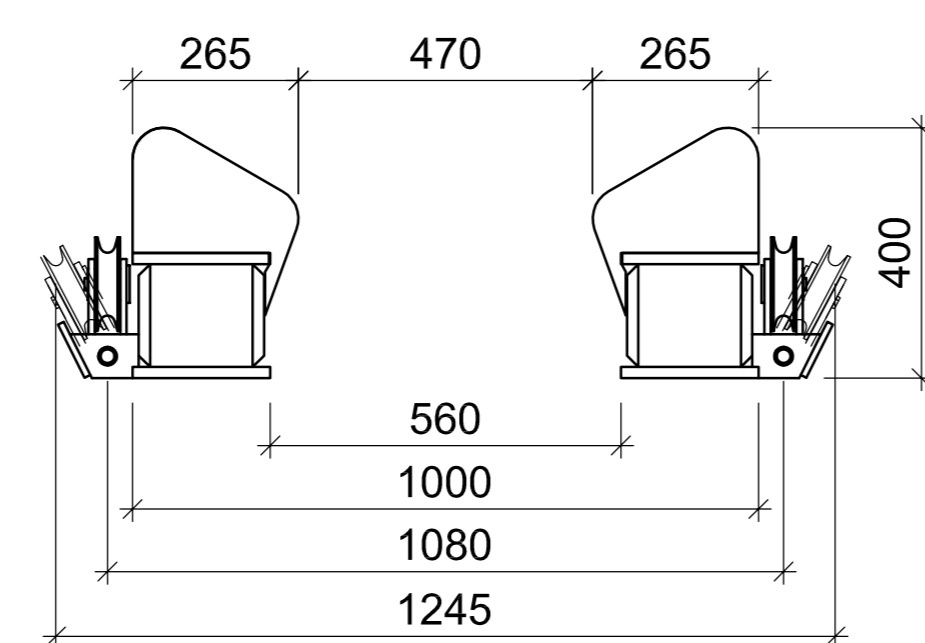
OPTIONAL 2,5m HOISTING FRAME



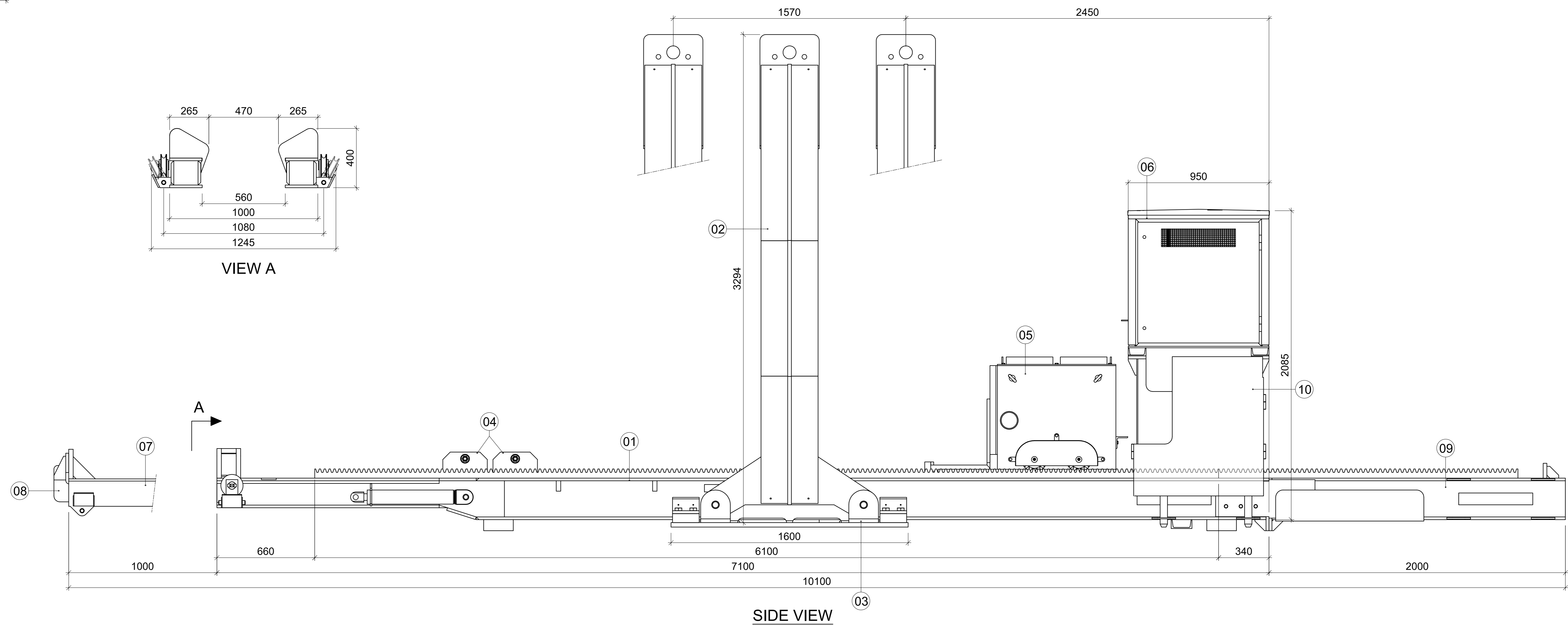
STANDARD 2m HOISTING FRAME



TOP VIEW



VIEW A



SIDE VIEW

ITEM	QUANT	DESCRIPTION
10	1	SUPPORT ENGINE COMP.
09	1	BACK EXTENSION
08	1	CLAMP
07	1	FRONT EXTENSION
06	1	ENGINE COMPARTMENT
05	1	PULLING UNIT
04	2	V-BLOCK
03	1	BALANCE PLATE
02	1	HOISTING FRAME
01	1	BASE FRAME

Project: Bundle extractor 45T
6100x2000ELS

Onderdeel: Customer drawing
General arrangement

Rev.: - Datum: -

Tek.Nr: BT-B-GA-103

Formaat: A0 Schaal: 1:10

Datum: 24-3-2014 Wijz.: -

Peinemann Equipment
Mandemakersstraat 190
3194 DG Hoogvliet
Holland
Tel: +31 (0)10 29 55 000
Fax: +31 (0)10 29 55 059