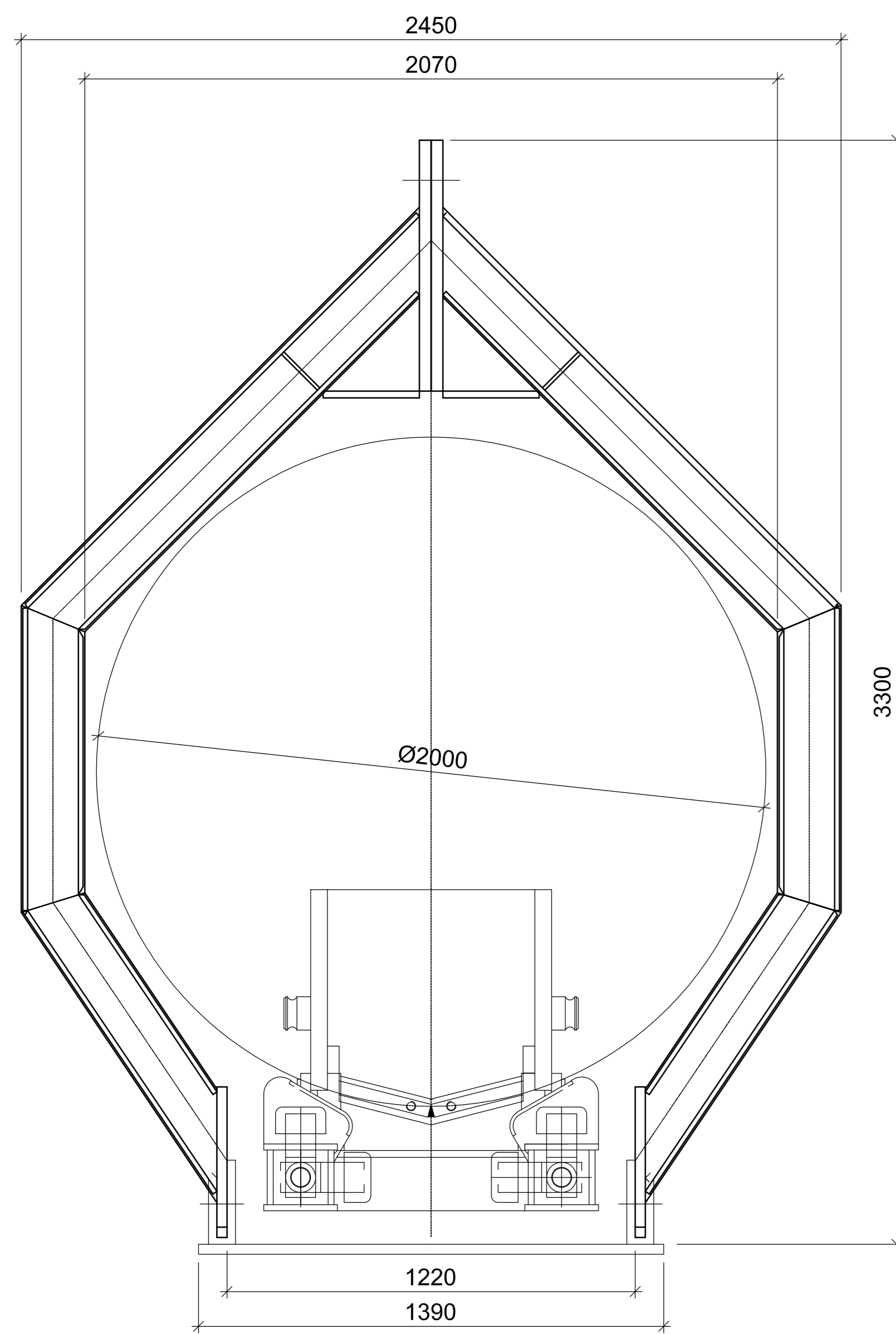
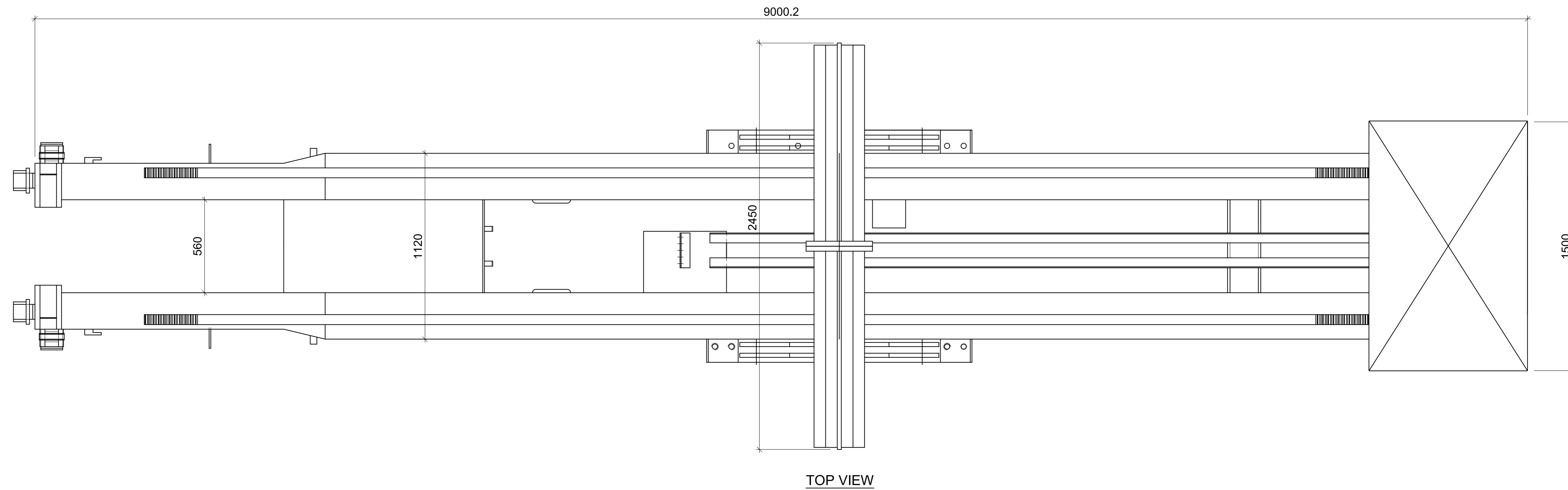
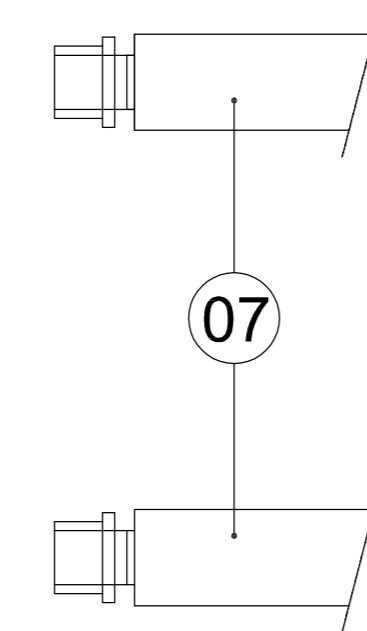


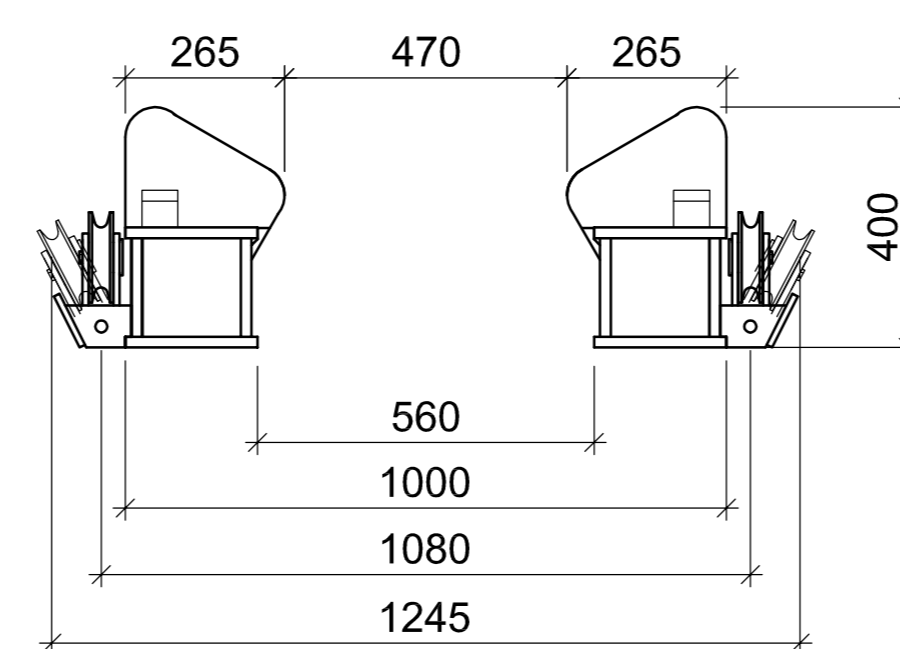
OPTIONAL 2,5m HOISTING FRAME



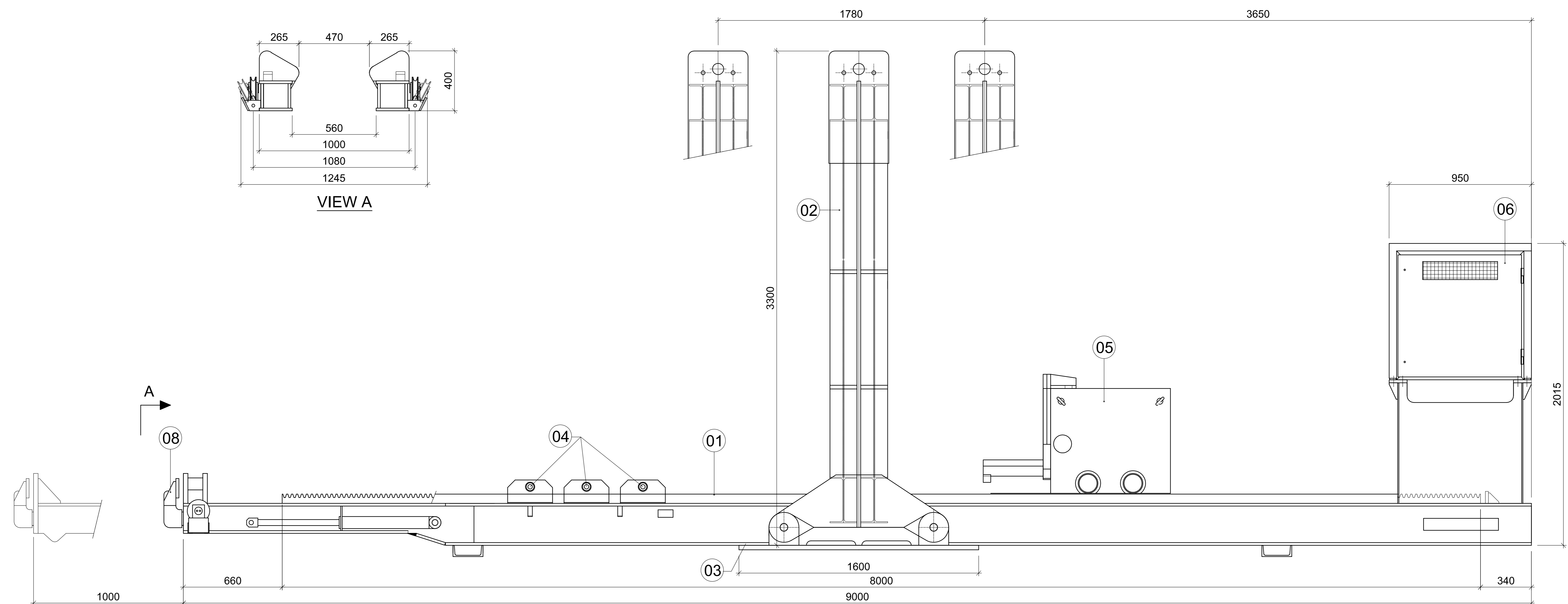
STANDARD 2m HOISTING FRAME



TOP VIEW



VIEW A



SIDE VIEW

ITEM	QUANT	DESCRIPTION
08	1	CLAMP
07	1	FRONT EXTENSION
06	1	ENGINE COMPARTMENT
05	1	PULLING UNIT
04	3	V-BLOCK
03	1	BALANCE PLATE
02	1	HOISTING FRAME
01	1	BASE FRAME

Project: Bundle extractor 45T
8000x2000EL

Onderdeel: Customer drawing
General arrangement

Tek.Nr: BT-B-GA-102

Formaat: A0
Schaal: 1:10

Datum: 24-3-2014
Wijz: -

Peinmann Equipment
Mandenmakersstraat 190
3194 OG Hoopstreek
Holland
Tel: +31 (0)10 29 55 000
Fax: +31 (0)10 29 55 099