



# PEINEMANN

POWERED BY



TERYDON  
TECHNOLOGY

powered by Terydon



UPGRADE YOUR  
TUBE CLEANING TO  
Smart Indexing

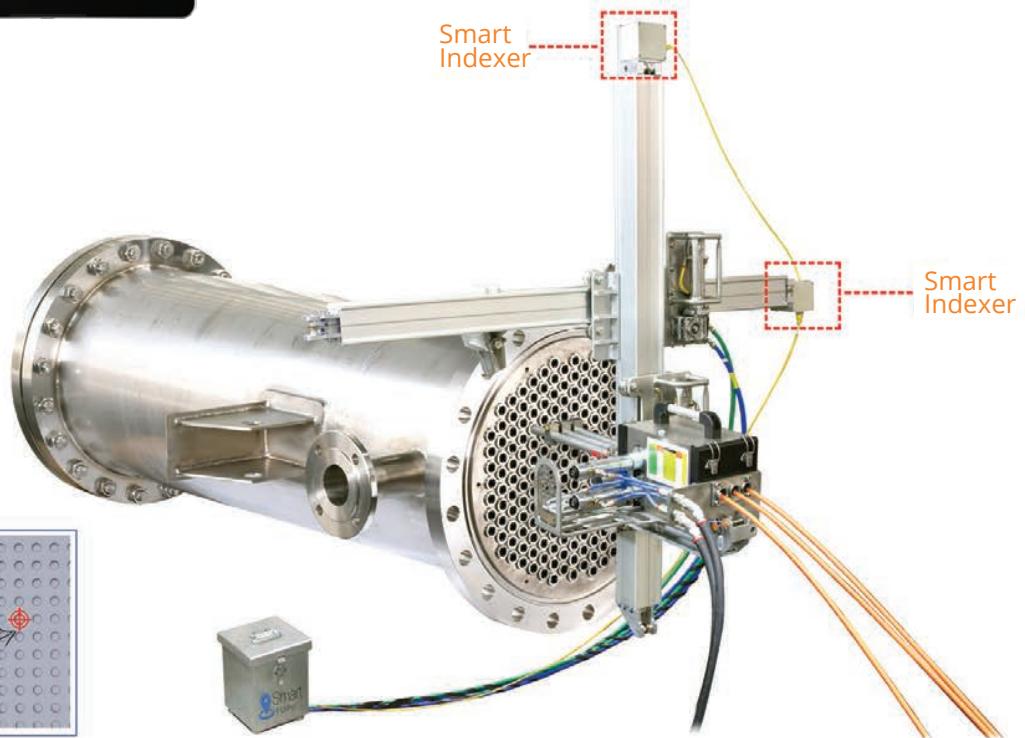
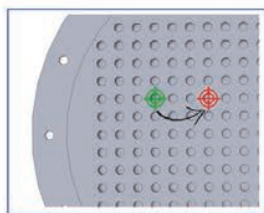


## Smart Indexer Hub

### Simple. Safe. Smart.

Control your Pneumatic Tool of choice with The Smart Hub, the first Universal Wireless Command Surface controlled via touch-screen tablet.

Smart Index  
Software



## SMART INDEXER HUB

Industry-leading Smart Indexing Technology allows you to automatically navigate during tube bundle cleaning with a single click of a button.

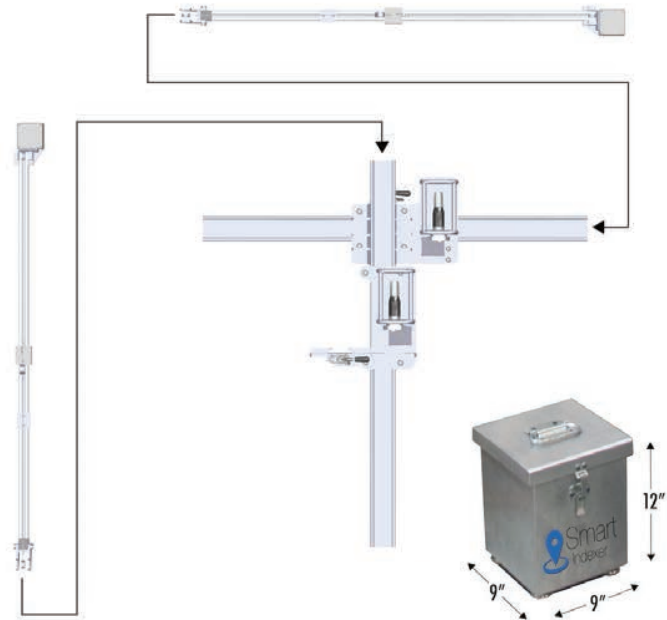
- Wireless Control via touch-screen tablet allows safe distance from high pressure water
- Simple 4-step Teach Method teaches tube pattern in less than 2 minutes
- Automatically navigates with a single press of the button, enhancing productivity
- Eliminates operator error that occurs during manual indexing tube-to-tube
- Useful in all applications, especially confined cleans and low-light settings
- Auto Recollection informs you if you locate over a tube that has already been cleaned
- Easy configurations in setting to pattern design and number of tubes to move



# PEINEMANN EQUIPMENT

## Features Smart Indexer Hub

- Up and down controls operated by tablet
- Can save records of the bundle and print out information.
- Auto index functionalities.
- Dump Valve control.
- On tablet speed and air dump control.
- Can also be used for other Pneumatic Devices such as 3TLE or lancing machines.



### Additional accessories

Protect hands and still control tablet with industrial gloves made with conductive material



Chest drop-down support of tablet offers mobility to end-user and easy access to a secured tablet



Choose industrial suction cups or C-clamp attachment to secure tablet to control stand for hands-free support



## Peinemann Equipment

See also  
[www.peinannequipment.com](http://www.peinannequipment.com)

**Peinemann Equipment B.V.**  
Mandenmakerstraat 190  
3194 DA Hoogvliet  
Phone: +31(0)10 - 295 50 00  
Fax: +31(0)10 - 295 50 59

**Peinemann USA**  
22820 I-H 45 N., Bldg #7, Ste P  
Spring, TX 77373  
Phone: 281-288-7979  
Fax: 866-431-5140

E-mail: [info@peinmann.nl](mailto:info@peinmann.nl)  
Website: [www.peinannequipment.com](http://www.peinannequipment.com)